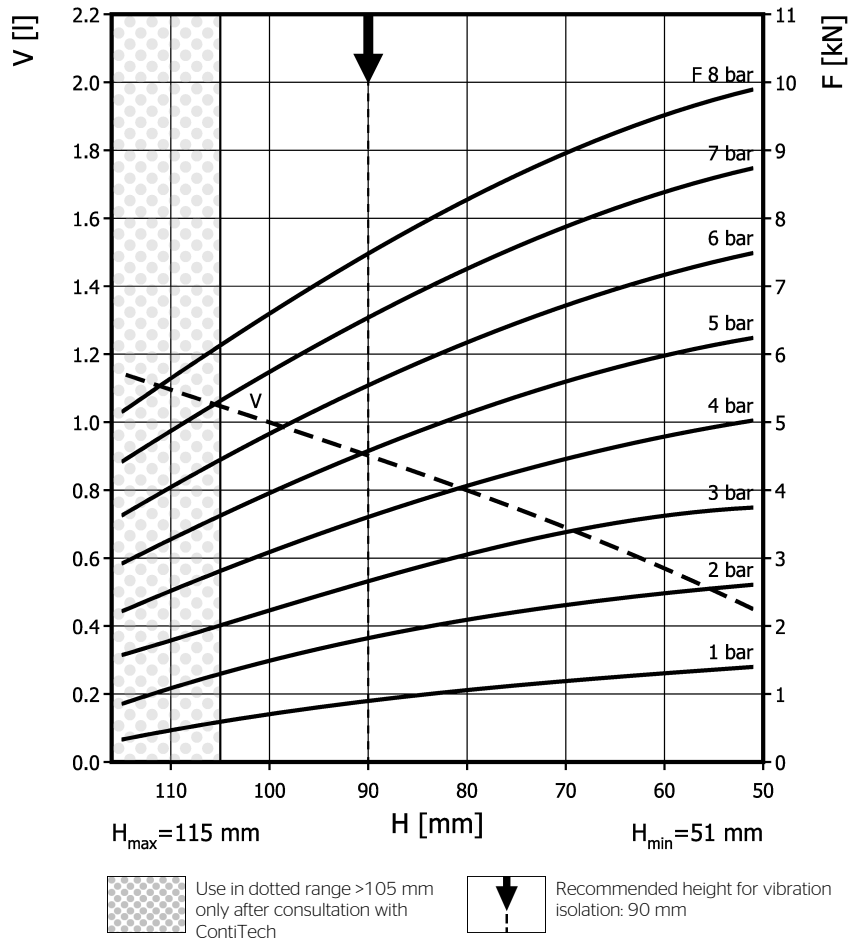
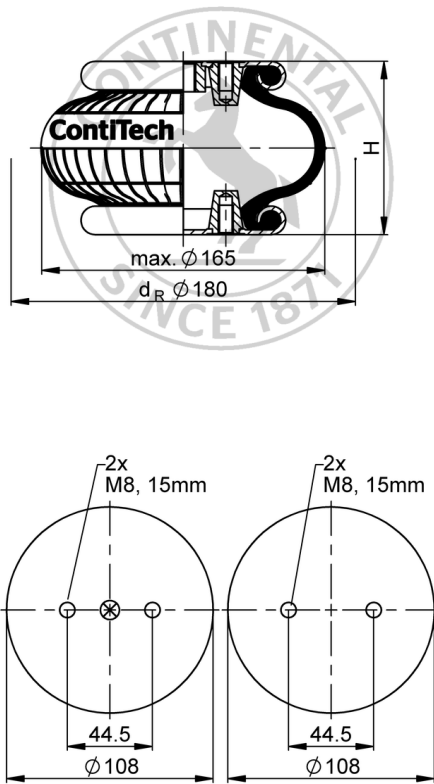


FS 70-7 CI

Single Convolution Air Actuator



Purchase order data
Technical data

Type	Order No.
rubber bellows only	60512
with crimped plates, G1/4 air inlet A = 0 mm excentrical	2681015000
with stainless steel crimped plates, G1/4 air inlet A = 0 mm excentrical	61746

Additional types on request

Min. pressure	0 bar
Return force to min height	≤ 200 N
Overall weight	1.2 kg

Vibration isolation - dynamic characteristic values

Design height H: recommended 90mm, minimum 70mm

Pressure p [bar]	3	4	5	6	7	8	Vol. V [l]
Force (Load) [kN]	2.7	3.7	4.7	5.7	6.6	7.7	
Spring rate [N/mm]	104	127	153	177	206	232.5	
Natural frequency [Hz]	3.1	2.9	2.9	2.8	2.8	2.7	

Pneumatic application - static characteristic values

Force F [kN]

Pressure p [bar]	3	4	5	6	7	8	Vol. V [l]	
Height H [mm]	100	2.23	3.09	3.96	4.82	5.74		6.58
	90	2.66	3.61	4.57	5.55	6.54	7.5	0.9
	80	3.05	4.06	5.12	6.17	7.25	8.28	0.8
	70	3.38	4.45	5.59	6.7	7.87	8.95	0.69
	60	3.63	4.8	6	7.19	8.4	9.51	0.57


 Service instructions
 M8: max. 25 Nm
 G1/4: max. 25 Nm

Measuring procedure: Room temperature / Force-height-data quasistatic / Dynamic data at 1 Hz