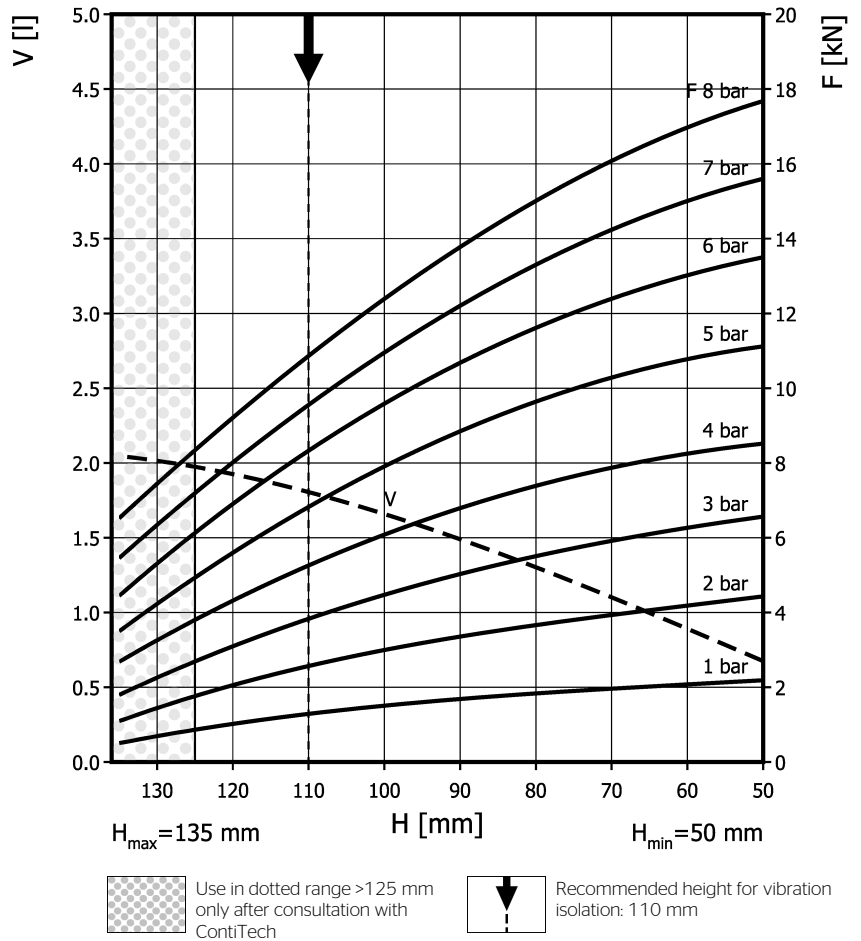
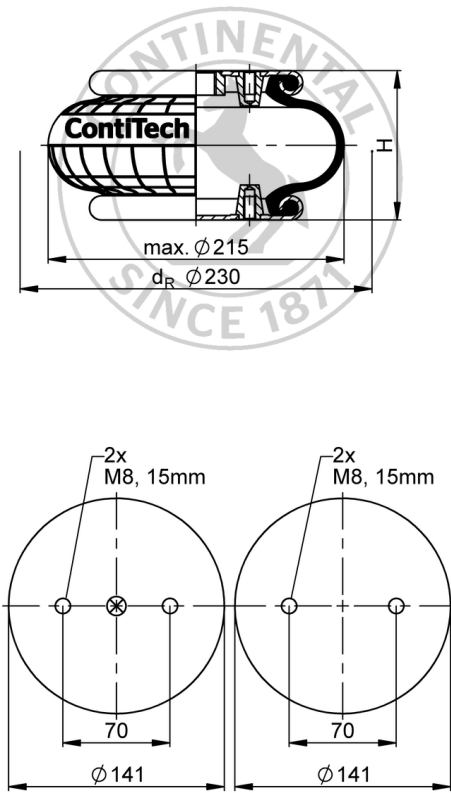


# FS 120-9 CI

# Single Convolution Air Actuator



### Purchase order data

Type	Order No.
rubber bellows only	72994
with crimped plates, G1/4 air inlet A = 0 mm excentrical	61358
with crimped plates, G3/4 air inlet A = 0 mm excentrical	2681030000

Additional types on request

### Technical data

Min. pressure	0 bar
Return force to min height	≤ 200 N
Overall weight	2 kg

#### Vibration isolation - dynamic characteristic values

Design height H: recommended 110mm, minimum 90mm

Pressure p [bar]	3	4	5	6	7	8	Vol. V [l]
Force (Load) [kN]	3.9	5.3	6.8	8.3	9.6	10.9	1.8
Spring rate [N/mm]	131.5	162	192.5	223	253.5	284	
Natural frequency [Hz]	2.9	2.8	2.7	2.6	2.6	2.6	

#### Pneumatic application - static characteristic values

Force F [kN]

Pressure p [bar]	3	4	5	6	7	8	Vol. V [l]	
Height H [mm]	120	3.1	4.3	5.6	6.9	8	9.2	1.9
	110	3.86	5.28	6.84	8.28	9.6	10.9	1.8
	100	4.48	6.1	7.9	9.66	11	12.4	1.7
	90	5.01	6.8	8.9	10.8	12.2	13.8	1.5
	80	5.5	7.38	9.65	11.6	13.3	15	1.3
	70	5.9	7.87	10.3	12.3	14.2	16	1.1
	60	6.3	8.23	10.7	13	15	17	0.85



Service instructions  
M8: max. 25 Nm  
G1/4: max. 25 Nm  
G3/4: max. 50 Nm

Measuring procedure: Room temperature / Force-height-data quasistatic / Dynamic data at 1 Hz