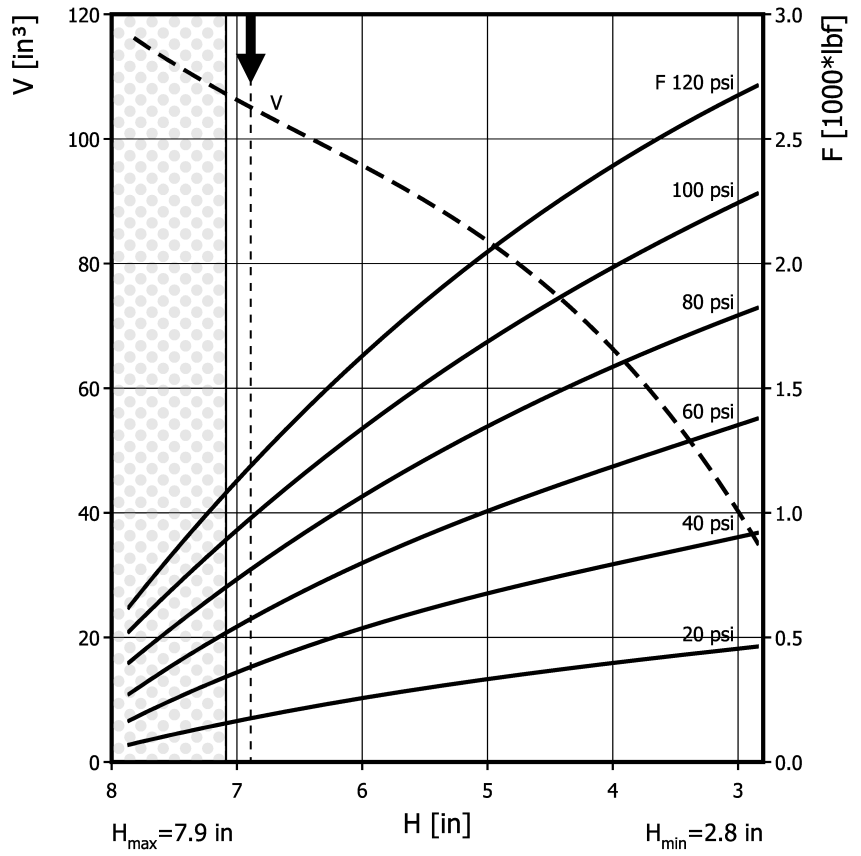
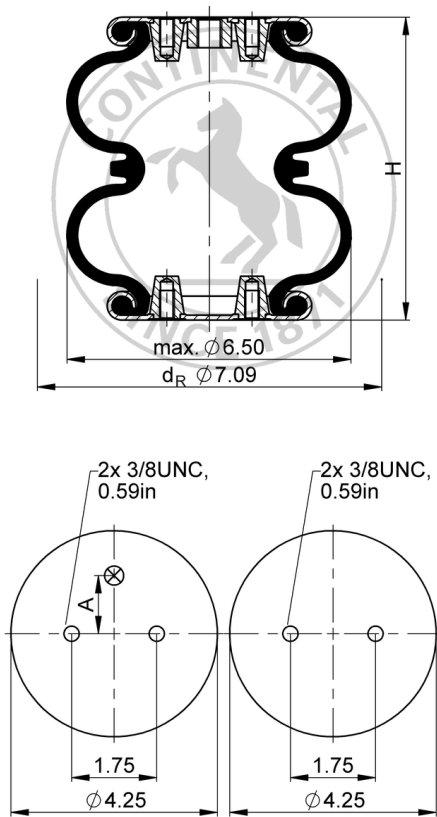


FD 70-13 CI

Double Convolution Air Actuator



Use in dotted range >7.09 in. only after consultation with ContiTech
 Recommended height for vibration isolation: 6.89 in.

Purchase order data
Technical data

Type	Order No.
rubber bellows only	70718
with crimped plates, 1/4 NPT air inlet A = 0 in. excentrical	65532

Additional types on request

Min. pressure	0	psi
Return force to min height	≤ 45	lbf
Overall weight	3.3	lb

Vibration isolation - dynamic characteristic values

Design height H: recommended 6.89 inch, minimum 6.3 inch

Pressure p	[psi]	40	60	80	100	120	Vol. V [in.³]
Force (Load)	[lbf]	394	584	789	995	1210	
Spring rate	[lbf/in.]	244	350	455	560	663	
Natural frequency	[Hz]	2.5	2.5	2.4	2.4	2.4	

Pneumatic application - static characteristic values

Force F [lbf]

Pressure p	[psi]	40	60	80	100	120	Vol. V [in.³]
Height H [in.]	7.0	354	556	749	942	1140	
	6.5	459	679	906	1150	1400	
	6.0	542	795	1070	1340	1630	
	5.5	605	903	1200	1510	1820	
	5.0	673	999	1340	1670	2040	
	4.5	730	1090	1470	1830	2230	
	4.0	797	1200	1600	1990	2400	
	3.5	855	1280	1710	2150	2560	
	3.0	901	1350	1790	2240	2670	

Measuring procedure: Room temperature / Force-height-data quasistatic / Dynamic data at 1 Hz


Service instructions
 3/8-16 UNC: max. 20 lbf ft
 1/4 NPT: max. 20 lbf ft