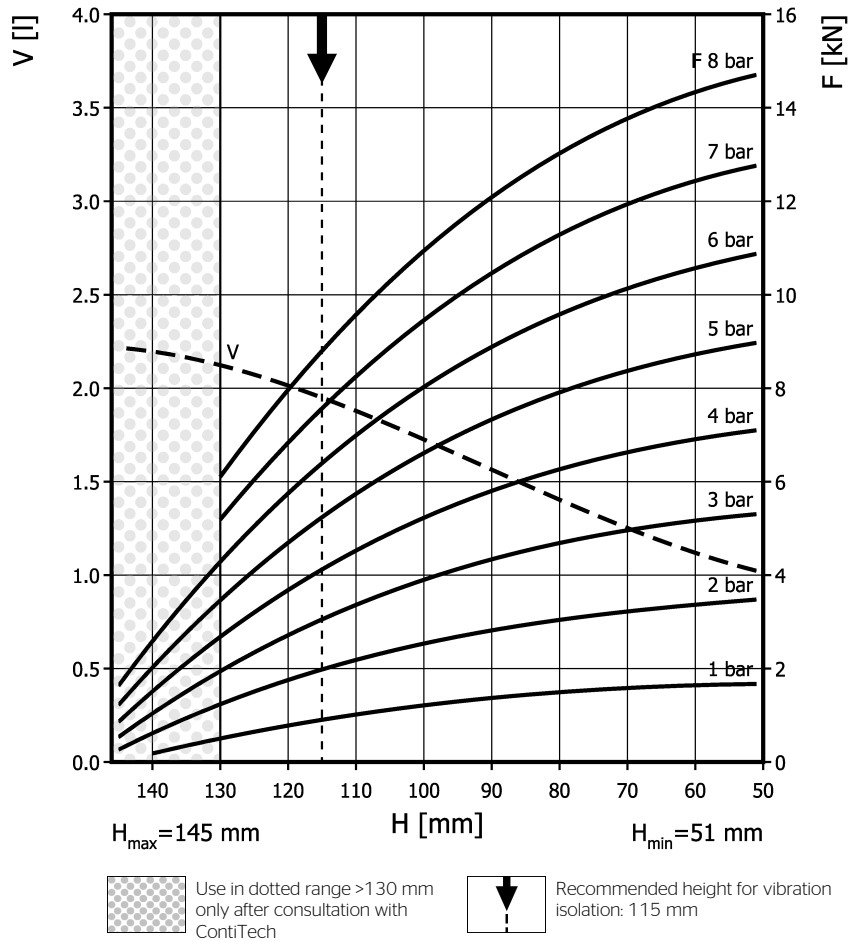
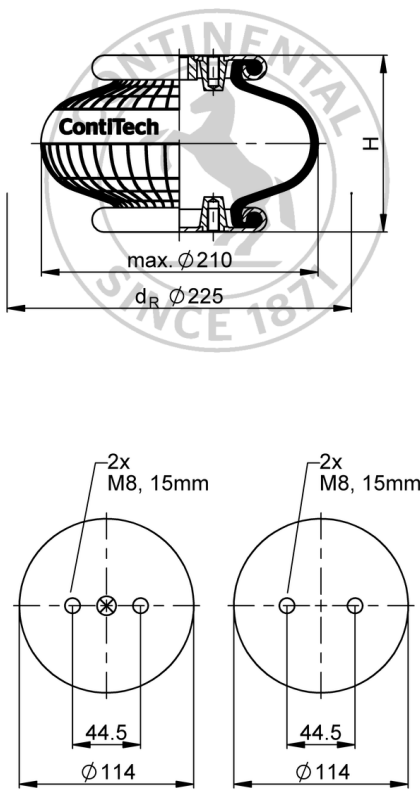


## FS 100-10 CI

## Single Convolution Air Actuator



## Purchase order data

Type	Order No.
rubber bellows only	63457
with crimped plates, G1/4 air inlet A = 0 mm excentrical	65745

Additional types on request

## Technical data

Min. pressure	0 bar
Return force to min height	≤ 40 N
Overall weight	1.4 kg

**Vibration isolation - dynamic characteristic values**

Design height H: recommended 115mm, minimum 100mm

Pressure p [bar]	3	4	5	6	7	8	Vol. V [l]
Force (Load) [kN]	3.1	4.3	5.4	6.5	7.6	8.8	
Spring rate [N/mm]	98.7	126.8	155.9	185.1	213.6	241.8	
Natural frequency [Hz]	2.8	2.7	2.7	2.7	2.6	2.6	

**Pneumatic application - static characteristic values**

Force F [kN]

Pressure p [bar]	3	4	5	6	7	8	Vol. V [l]	
Height H [mm]	130	1.96	2.69	3.48	4.3	5.18		6.09
	110	3.35	4.51	5.73	6.98	8.25	9.58	1.9
	90	4.31	5.77	7.29	8.85	10.4	12	1.6
	70	4.97	6.64	8.38	10.2	11.9	13.8	1.3



Service instructions  
 M8: max. 25 Nm  
 G1/4: max. 25 Nm

**Measuring procedure:** Room temperature / Force-height-data quasistatic / Dynamic data at 1 Hz