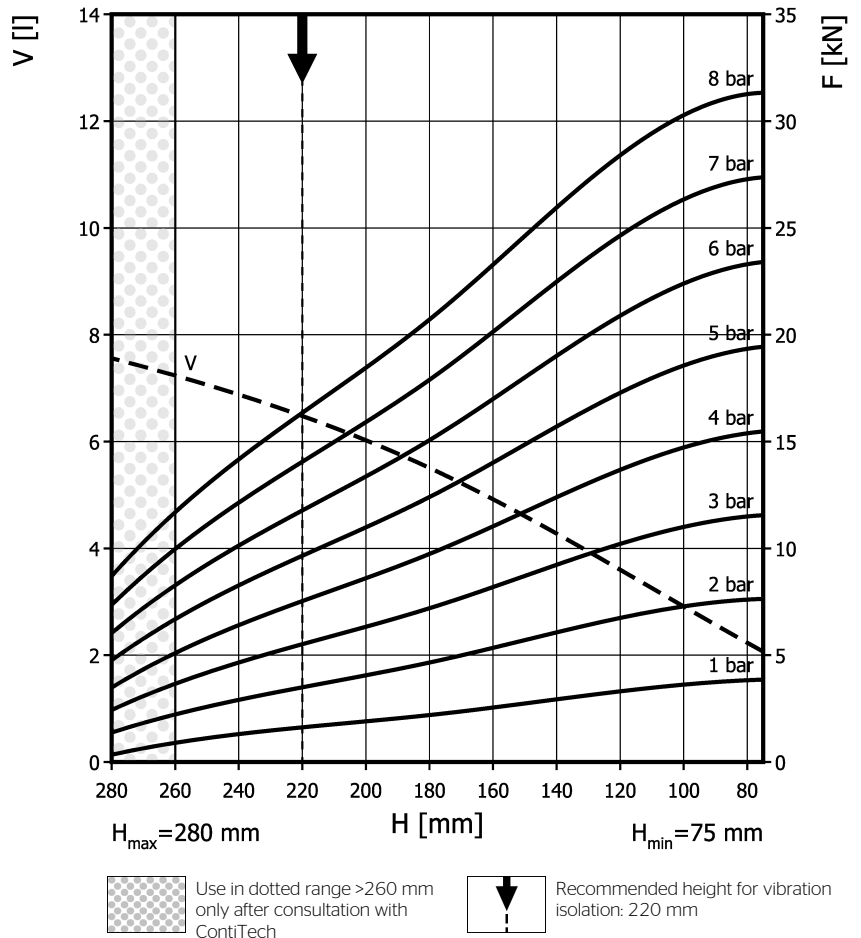
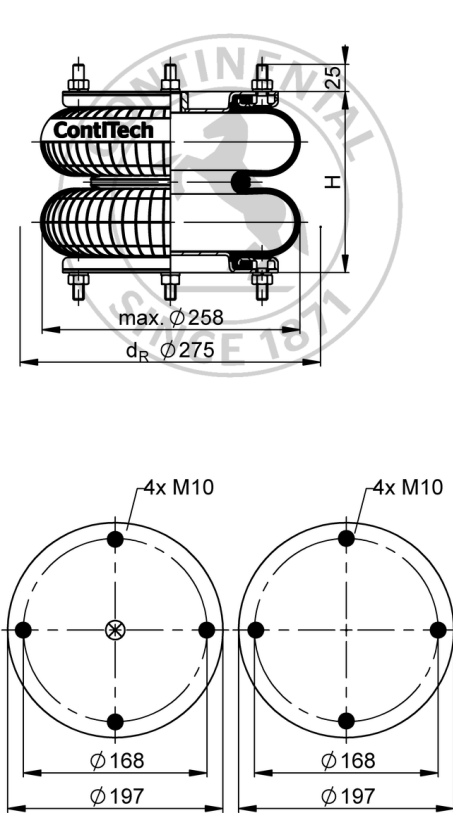


FD 209-21 DS

Double Convolution Air Actuator



Purchase order data

Type	Order No.
rubber bellows only	69513
with dismountable plates, G1/2 air inlet	70433

Additional types on request

Technical data

Min. pressure	0 bar
Return force to min height	$\leq 120 \text{ N}$
Overall weight	4.1 kg

Vibration isolation - dynamic characteristic values

Design height H: recommended 220mm, minimum 200mm

Pressure p [bar]	3	4	5	6	7	8	Vol. V [l]
Force (Load) [kN]	5.7	7.7	9.9	12	14.1	16	
Spring rate [N/mm]	86	117.5	133.5	157	180.5	196	
Natural frequency [Hz]	1.9	1.9	1.8	1.8	1.8	1.7	

Pneumatic application - static characteristic values

Force F [kN]

Pressure p [bar]	3	4	5	6	7	8	Vol. V [l]	
Height H [mm]	230	5.05	6.93	8.93	10.9	13		6.7
	200	6.31	8.56	10.9	13.3	15.8		6
	160	8.1	10.9	13.9	16.9	20.1		4.9
	130	9.71	13	16.5	19.9	23.5		4
	100	11	14.7	18.5	22.3	26.2		2.9
	80	11.5	15.3	19.3	23.2	27.2		2.2


 Service instructions
 M10: max. 25 Nm
 G1/2: max. 25 Nm

Measuring procedure: Room temperature / Force-height-data quasistatic / Dynamic data at 1 Hz