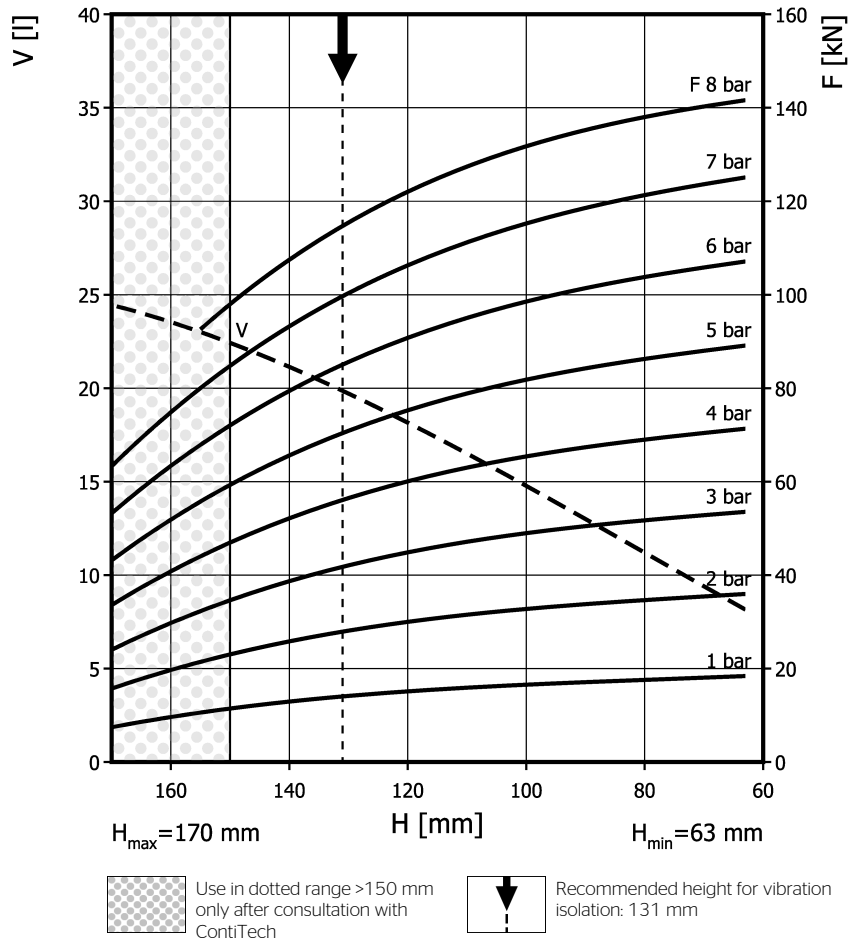
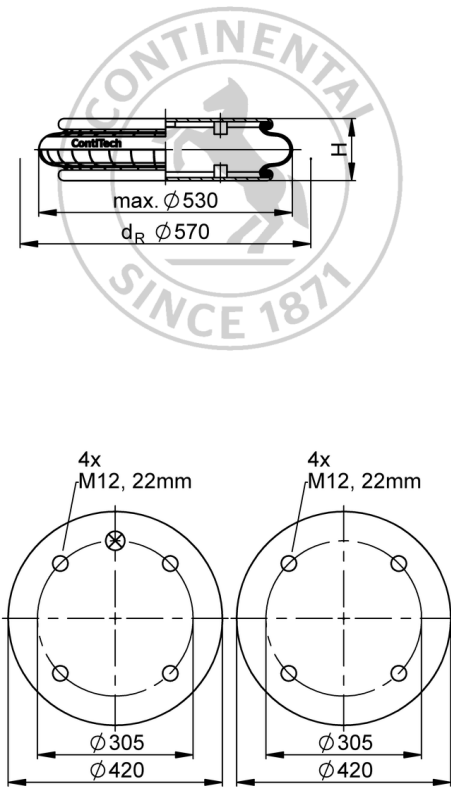


FS 1330-11 CI

Single Convolution Air Actuator


Purchase order data
Technical data

Type	Order No.
rubber bellows only	61778
with crimped plates, G3/4 air inlet A = 152.5 mm excentrical	69828

Additional types on request

Min. pressure	0 bar
Return force to min height	≤ 90 N
Overall weight	17 kg

Vibration isolation - dynamic characteristic values

Design height H: recommended 131mm, minimum 111mm

Pressure p [bar]	3	4	5	6	7	8	Vol. V [l]
Force (Load) [kN]	41.7	55.7	69.8	83.9	97.8	110.9	20
Spring rate [N/mm]	820	1043	1258	1473.5	1663.5	1847	
Natural frequency [Hz]	2.2	2.2	2.1	2.1	2.1	2.1	

Pneumatic application - static characteristic values

Force F [kN]

Pressure p [bar]	3	4	5	6	7	8	Vol. V [l]
Height H [mm]	140	38.8	52.3	65.7	79.6	93.5	21
	120	44.8	59.9	75.1	90.6	106	18
	100	49	65.4	81.8	98.5	115	15
	80	51.8	69.1	86.4	104	121	11


 Service instructions
 M12: max. 75 Nm
 G3/4: max. 50 Nm

Measuring procedure: Room temperature / Force-height-data quasistatic / Dynamic data at 1 Hz