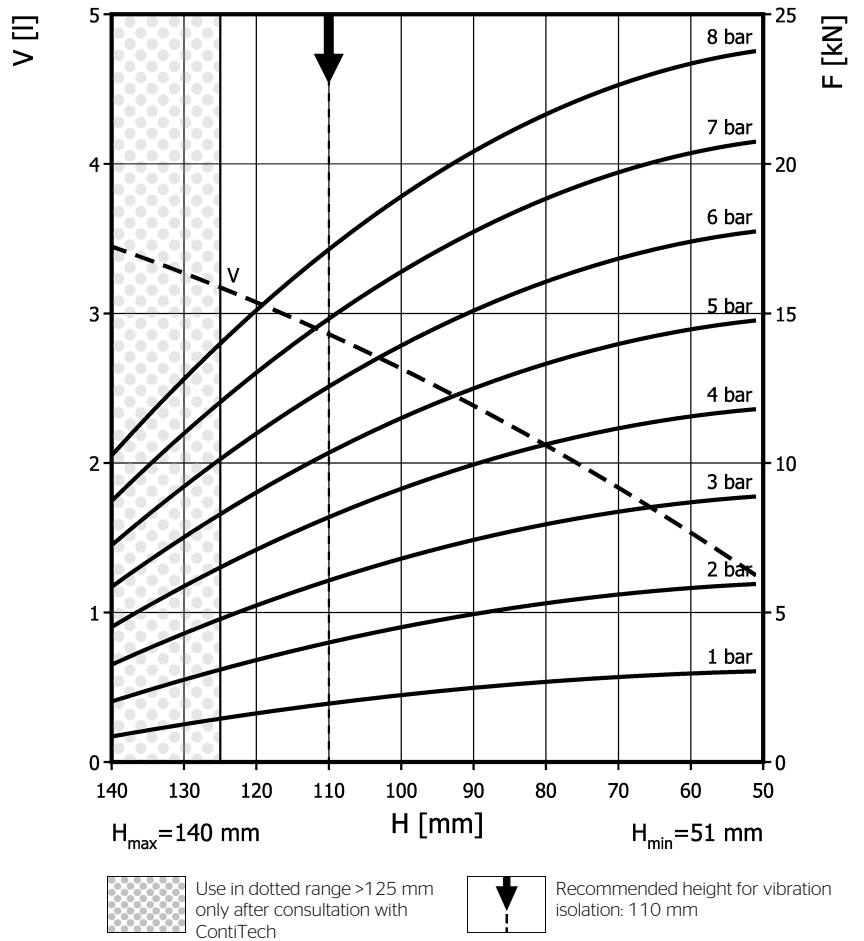
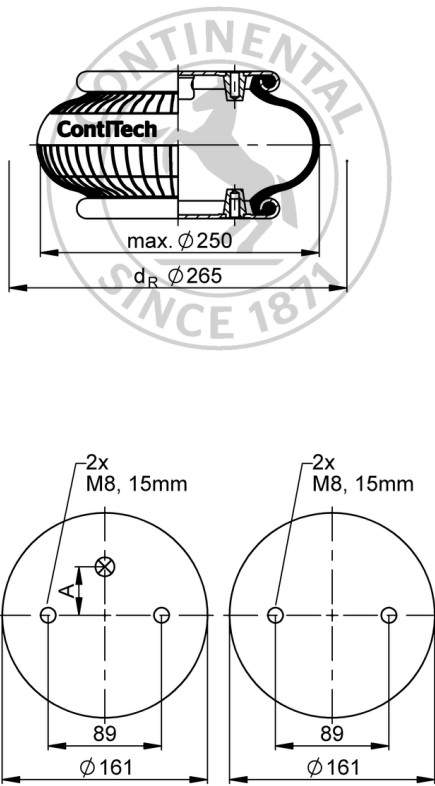


FS 200-10 CI

Single Convolution Air Actuator



Purchase order data

Type	Order No.
rubber bellows only	72850
with crimped plates, G1/4 air inlet A = 44.5 mm excentrical	60030
with crimped plates and bumper A = 44.5 mm excentrical	2681047000
with crimped plates, G3/4 air inlet A = 38.1 mm excentrical	2681045000
with stainless steel crimped plates, G3/4 air inlet A = 38.1 mm excentrical	69695

Additional types on request



Service instructions
 M8: max. 25 Nm
 G1/4: max. 25 Nm
 G3/4: max. 50 Nm

Technical data

Min. pressure	0 bar
Return force to min height	≤ 200 N
Overall weight	2.3 kg

Vibration isolation - dynamic characteristic values

Design height H: recommended 110mm, minimum 90mm

Pressure p [bar]	3	4	5	6	7	8	Vol. V [l]
Force (Load) [kN]	5.5	7.5	9.6	11.9	14	15.7	
Spring rate [N/mm]	150	205	260	315	370	425	
Natural frequency [Hz]	2.6	2.6	2.6	2.6	2.6	2.6	

Pneumatic application - static characteristic values

Force F [kN]

Pressure p [bar]	3	4	5	6	7	8	Vol. V [l]
Height H [mm]	120	5.36	7.24	9.18	11.2	13.2	
	110	6.09	8.21	10.4	12.6	14.8	2.9
	100	6.85	9.2	11.6	14	16.5	2.6
	90	7.37	9.88	12.4	15	17.7	2.4
	80	7.85	10.5	13.2	15.9	18.7	2.1
	70	8.36	11.2	13.9	16.8	19.7	1.8
	60	8.68	11.5	14.5	17.4	20.3	1.5

Measuring procedure: Room temperature / Force-height-data quasistatic / Dynamic data at 1 Hz