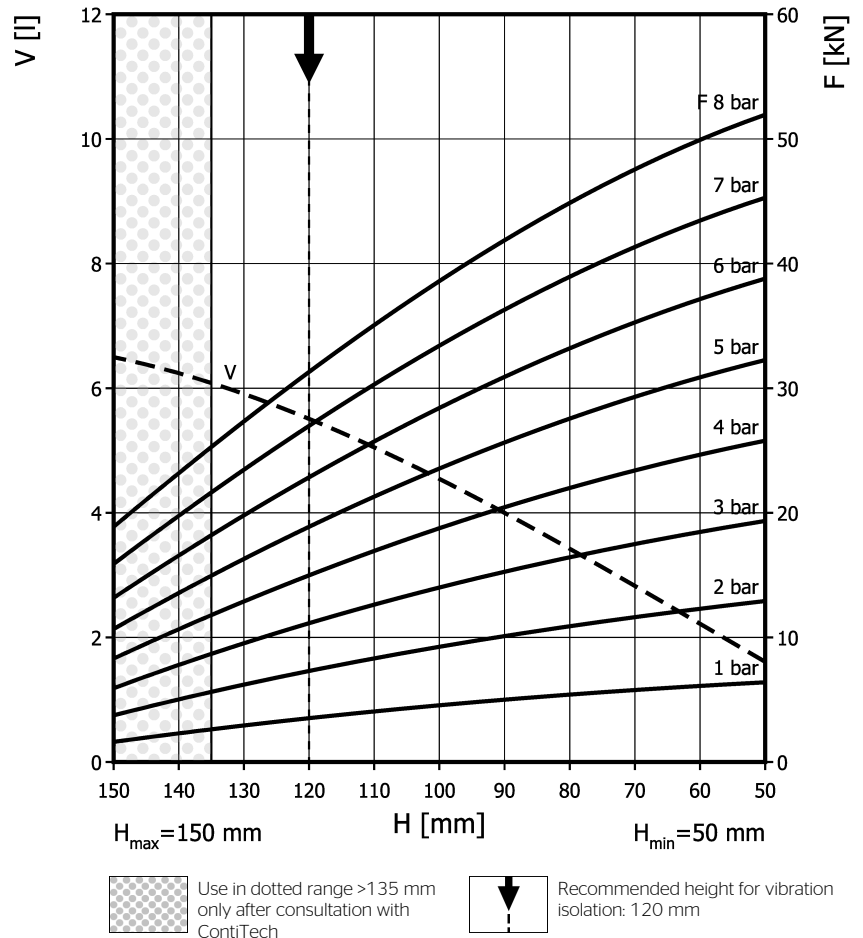
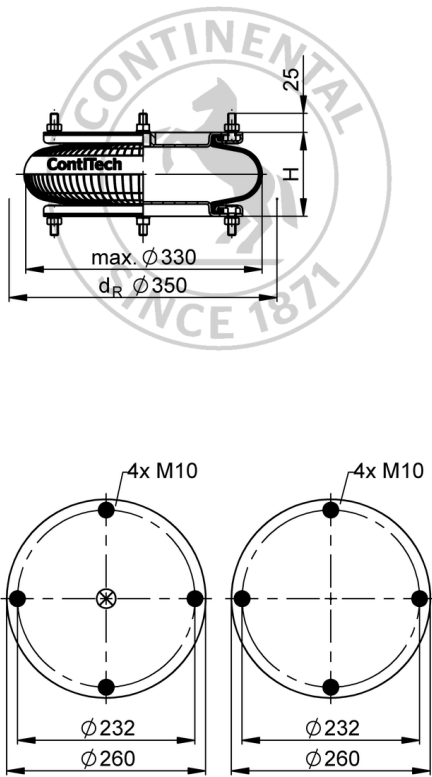


## FS 412-10 DS

## Single Convolution Air Actuator



## Purchase order data

Type	Order No.
rubber bellows only	67961
with dismountable plates, G1/2 air inlet	67962

Additional types on request

## Technical data

Min. pressure	0 bar
Return force to min height	≤ 200 N
Overall weight	5.44 kg

**Vibration isolation - dynamic characteristic values**

Design height H: recommended 120mm, minimum 100mm

Pressure p [bar]	3	4	5	6	7	8	Vol. V [l]
Force (Load) [kN]	11.4	15.3	19.2	23.2	27.1	31.1	5.5
Spring rate [N/mm]	290	372	451	531	612	689	
Natural frequency [Hz]	2.5	2.5	2.4	2.4	2.4	2.4	

**Pneumatic application - static characteristic values**

Force F [kN]

Pressure p [bar]	3	4	5	6	7	8	Vol. V [l]	
Height H [mm]	120	11.2	15.1	18.9	22.9	27	31.4	5.5
	100	13.9	18.5	23.4	28.1	33.1	38.3	4.6
	80	16.5	22.1	27.6	33.4	39.1	45	3.4
	60	18.5	24.8	31	37.2	43.6	50	2.2


 Service instructions  
 M10: max. 25 Nm  
 G1/2: max. 25 Nm

**Measuring procedure:** Room temperature / Force-height-data quasistatic / Dynamic data at 1 Hz