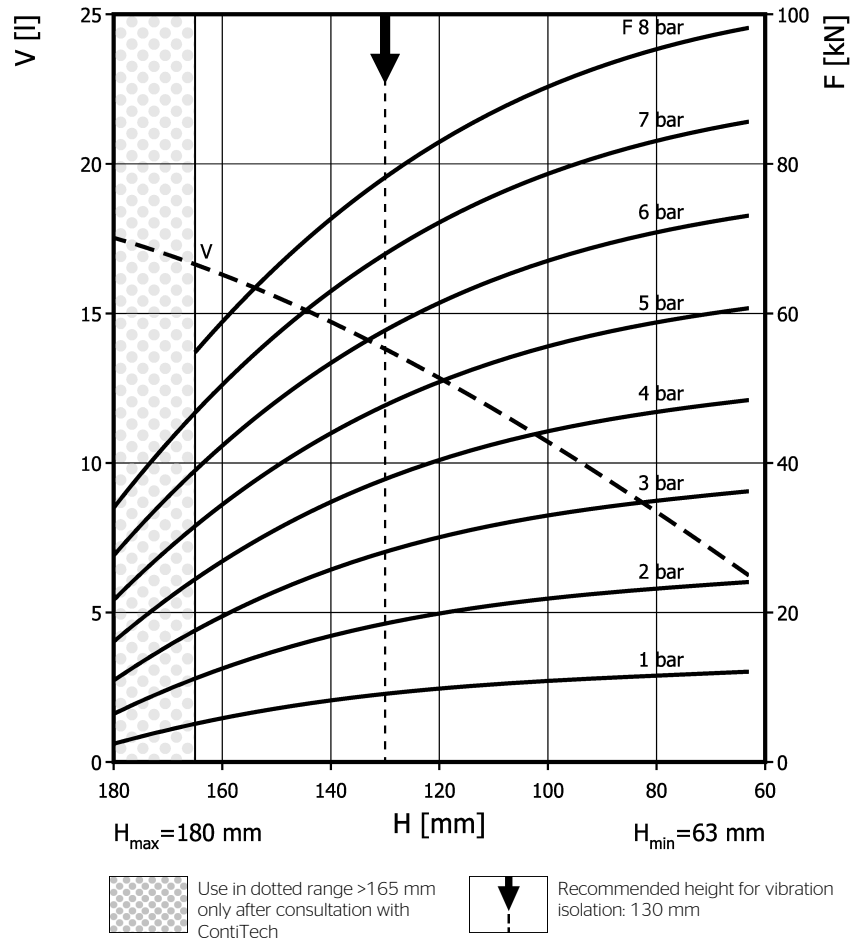
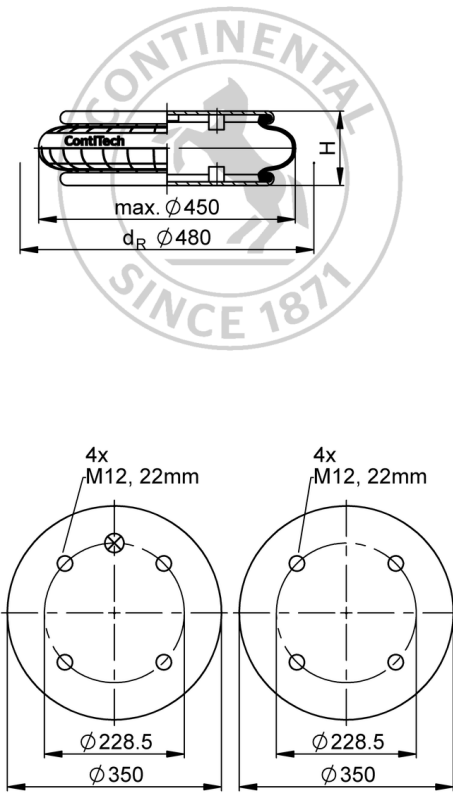


FS 960-12 CI

Single Convolution Air Actuator



Purchase order data

Type	Order No.
rubber bellows only	61775
with crimped plates, G3/4 air inlet A = 114.3 mm excentrical	70085

Additional types on request

Technical data

Min. pressure	0 bar
Return force to min height	≤ 50 N
Overall weight	12.5 kg

Vibration isolation - dynamic characteristic values

Design height H: recommended 130mm, minimum 115mm

Pressure p [bar]	3	4	5	6	7	8	Vol. V [l]
Force (Load) [kN]	28.6	38.3	47.8	57.5	67.2	76.6	14
Spring rate [N/mm]	581	740.5	891.5	1035	1186	1329.5	
Natural frequency [Hz]	2.3	2.2	2.2	2.1	2.1	2.1	

Pneumatic application - static characteristic values

Force F [kN]

Pressure p [bar]	3	4	5	6	7	8	Vol. V [l]
Height H [mm]	160	19.6	26.9	34.5	42.3	50.4	16
	140	25.7	34.8	44	53.4	63	15
	120	30	40.3	50.8	61.3	72.1	13
	100	33	44.3	55.6	67.1	78.7	11
	80	35	46.9	58.8	70.9	83.1	8.4



Service instructions
 M10: max. 40 Nm
 M12: max. 75 Nm
 G3/4: max. 50 Nm

Measuring procedure: Room temperature / Force-height-data quasistatic / Dynamic data at 1 Hz